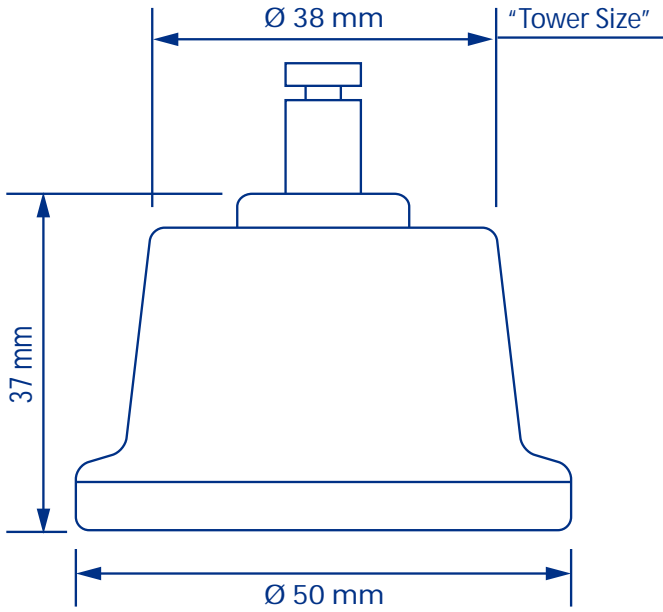


RGE017BLK Glide



Specification	
Type / Colour	Standard Glide / Black
Test Standard	ANSI BIFMA
Pin Size	11mm
Loading Capacity	50 kgs
Material	Nylon

RGE Group is a leading supplier to the Office Furniture market, producing high volumes of furniture, components and accessories to high quality standards for our customers. With our experience in product design, tooling, manufacturing and logistics, we are the ideal partner for your Office Furniture requirements.

RGE offer a full range of castor options, supplying in excess of 3 million castors each year. If we don't have what you're looking for on the shelf we can provide a bespoke ordering service to meet your exact requirements.

The low glide has a polished surface for easy slide, and is suitable for most floor types.



sales@rgegroup.com

+44 (0)1480 450771

www.rgegroup.com