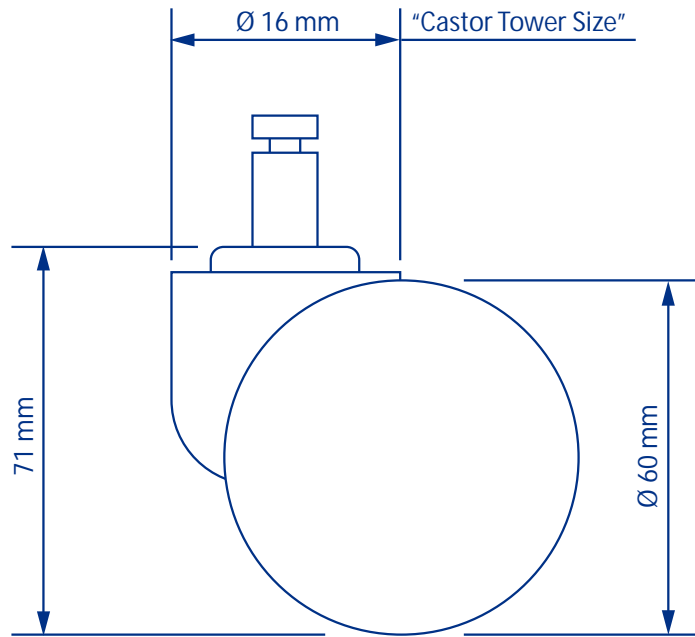


RGE632 Castor



Specification

| | |
|-------------------------|------------------------------|
| Type / Colour | Twin Wheel Executive / Black |
| Test Standard | ANSI BIFMA |
| Pin Size | 11mm |
| Loading Capacity | 60 kgs |
| Material | Nylon |

RGE Group is a leading supplier to the Office Furniture market, producing high volumes of furniture, components and accessories to high quality standards for our customers. With our experience in product design, tooling, manufacturing and logistics, we are the ideal partner for your Office Furniture requirements.

RGE offer a full range of castor options, supplying in excess of 3 million castors each year. If we don't have what you're looking for on the shelf we can provide a bespoke ordering service to meet your exact requirements.



sales@rgegroup.com

+44 (0)1480 450771

www.rgegroup.com